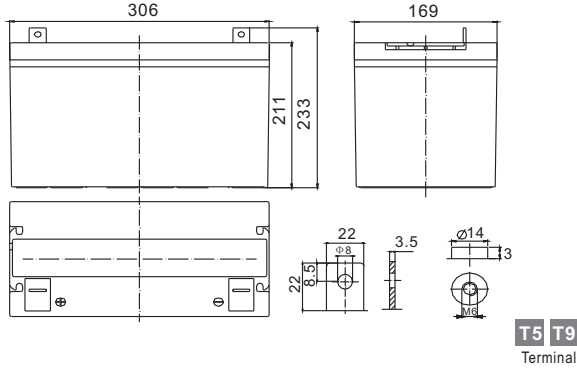


Standard Series

GPL 12-90 12V90Ah

Dimension



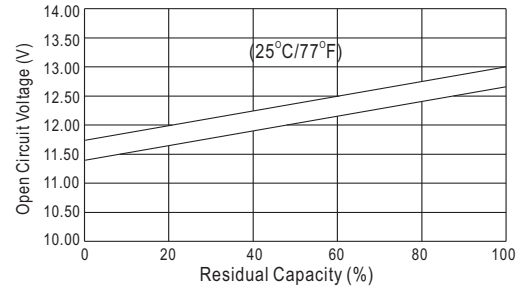
Specification

Nominal Voltage		12 V
Capacity(10HR, 25°C)		90Ah
Dimension	Length	306mm (12.0inch)
	Width	169mm (6.7inch)
	Height	211mm (8.3inch)
	Total Height(T5/T9)	233mm (9.2inch)/214mm (8.4inch)
Approx. Weight		27kg (59.5lbs)

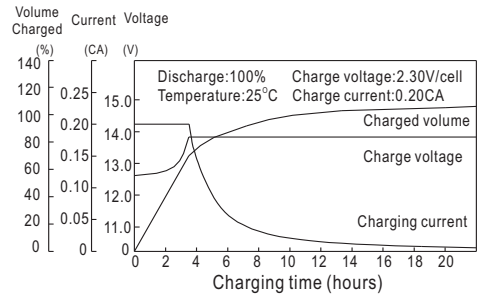
Characteristics

Capacity 20°C (68°F) To 1.70V/Cell	20 hour rate	95Ah
	10 hour rate	90Ah
	5 hour rate	81Ah
	1 hour rate	54.4Ah
	15 min rate	35.8Ah
Internal resistance(Fully charged, 25°C)		Approx.5.5m Ω
Capacity affected by temperature (10HR)	40°C	102%
	25°C	100%
	0°C	85%
	-15°C	65%
Self-discharge (25°C)	3 month	Remaining Capacity: 91%
	6 month	Remaining Capacity: 82%
	12 month	Remaining Capacity: 65%
Nominal operating temperature		25°C ±3°C(77°F ±5°F)
Operating temperature range		-15°C~50°C(5°F~122°F)
Float charging voltage(25°C)		13.50 to 13.80V
Cyclic charging voltage(25°C)		14.50 to 14.90V
Maximum charging current		27A
Terminal material		Copper
Maximum discharge current		800A(5 Sec.)

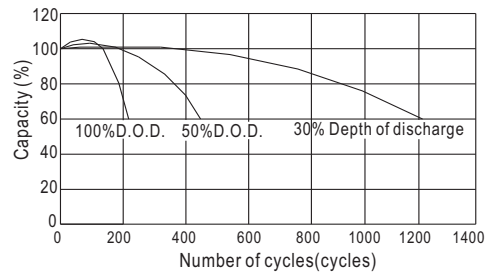
The Relationship for Open Circuit Voltage and Residual Capacity (25°C)



Charging Characteristics(25°C)



Cycle Life(25°C)



Constant Current Discharge Characteristics (A, 25°C)

F.V/TIME	5min	10min	15min	30min	60min	3h	5h	10h	20h
9.60V	284	189	149	93.6	56.7	23.3	16.4	9.14	4.80
10.2V	269	180	143	89.9	54.4	23.0	16.2	9.05	4.75
10.8V	253	169	135	85.4	51.7	22.5	15.9	9.00	4.73

Constant Power Discharge Characteristics (Watt, 25°C)

	5min	10min	15min	30min	60min	3h	5h	10h	20h
2977	2041	1631	1050	646	274	194	109	57.6	
2828	1939	1565	1008	621	270	191	108	57.0	
2658	1823	1487	958	589	264	188	108	56.7	