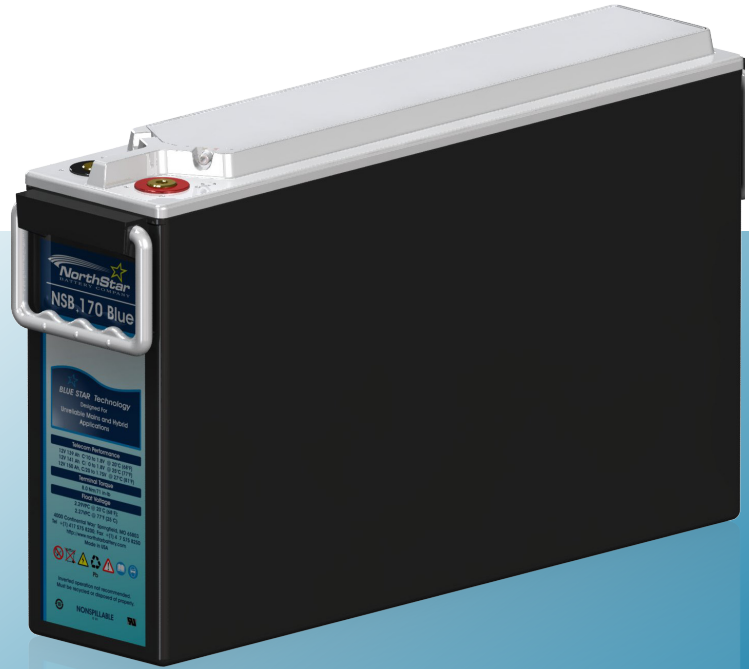


# Product Data Sheet

## NSB 170 BLUE



Specifically designed  
for unstable mains  
applications



- Ideal for demanding environments with unstable AC power
- High modulus polyphenylene plastic materials designed to withstand extended elevated operating temperatures and maintain high battery compression essential for reliable operation
- High performance design life
- High cycling and superior fast recharge performance
- Modified electrochemistry for repeated outages
  - Optimized paste additives and grid alloy
  - Less reliance on full recharge following an outage
  - No need for regular overcharge factor
  - Capable of uncontrolled Partial State of Charge (uPSOC)\* operation without running down in capacity

\* For a detailed description of uPSOC, please see the Blue Star Technology Application Manual



# Product Data Sheet

## NSB 170 BLUE

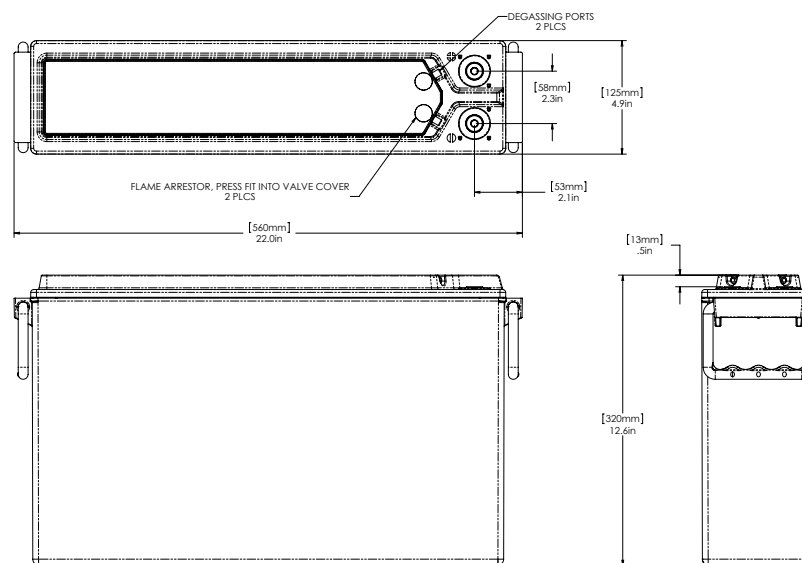


### Technical Specifications

20 hour capacity to 1.75 Volts/Cell @ 27 °C	153 Ah
10 hour capacity to 1.80 Volts/Cell @ 25 °C	141 Ah
10 hour capacity to 1.80 Volts/Cell @ 20 °C	140 Ah
Float Voltage	2.27 +/- 0.02 Volts/Cell @ 25 °C
Nominal Voltage	12 V
Impedance (1kHz)	2.2 mΩ @ 25 °C (77 °F)
Conductance	2316 S
Short Circuit Current	6,000 A
Maximum Charge Current	no limit
Container Material	Modified PPO (UL 94 V-0)
Operating Temperature Range	-40°C (-40°F) to 65°C (149°F)

### Measurements

Height	320 mm (12.6 in)
Width	125 mm (4.9 in)
Depth	560 mm (22.0 in)
Weight	58 kg (128 lbs)
Terminal	Female M8 leak proof
Terminal Torque	8.0 Nm (71 in-lbs)



NorthStar in the Americas  
 NorthStar Battery Company LLC  
 4000 Continental Way  
 Springfield, MO 65803  
 USA  
 Tel: (+1) 417 575 8200  
 Fax: (+1) 417 575 8250  
 info@northstarbattery.com  
 www.northstarbattery.com

NorthStar in Europe, Africa,  
 Middle East  
 SiteTel Sweden AB  
 Staffans Väg 6-8  
 Box 7039  
 SE-192 07 Sollentuna  
 Sweden  
 Tel. +46 8 410 102 00  
 Fax. +46 8 638 06 00  
 europe@northstarbattery.com

NorthStar in Asia-Pacific  
 SiteTel Shanghai Co Ltd  
 Building 9, 1201 Gui Qiao Road  
 Jin Qiao Export Process Zone  
 201206 Shanghai  
 China  
 Tel. +86 21 5899 7610  
 Fax. +86 21 3872 2201  
 asia@northstarbattery.com



Form: SES-542-37-04 Issued: 11-02-10 ECO: 1416-S10

#### All NorthStar products are compliant with:

- Telcordia SR4228, Bellcore GR-63-Core, Issue 1
- British, German, and Russian telecom standards
- UL Approved

NorthStar is Registered to ISO 9001 & ISO 14001