

ПЕРЕЙТИ
НА СТРАНИЦУ ТОВАРА >>>

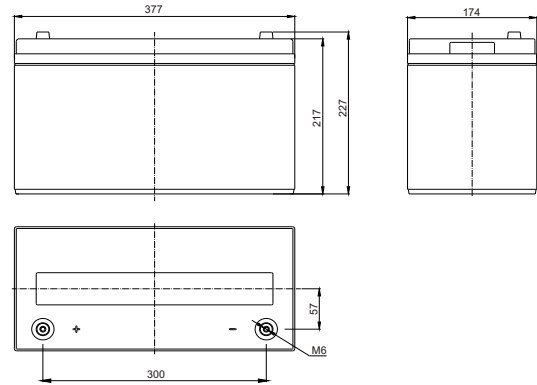
НИЗКИЕ ЦЕНЫ
НАЛИЧИЕ
ПРОФЕССИОНАЛЬНЫЕ
КОНСУЛЬТАЦИИ

ООО «1000 ВА»
Официальный поставщик
www.1000va.ru
8-800-350-78-47 info@1000va.ru

Яндекс Маркет
Наш рейтинг ★★★★★
ЧИТАЙТЕ ОТЗЫВЫ



Data sheet for 6-GFM-80C battery



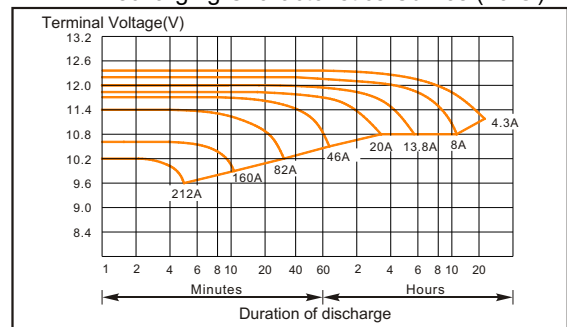
Specifications

Nominal Voltage	12V	
Rated Capacity(10 hour rate)	80Ah	
Total Height(with terminals)	227mm (8.94 inches)	
Dimension	Height	217mm (8.54 inches)
	Length	377mm (14.84 inches)
	Width	174mm (6.85 inches)
Weight	Approx.33Kg (72.75lbs)	

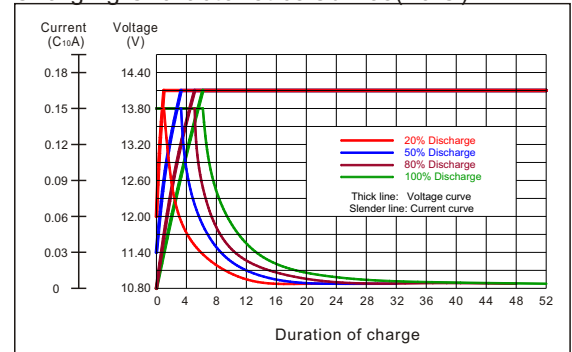
Characteristics

Capacity (25 °C)	20Hr	87Ah
	10Hr	80Ah
	5Hr	69Ah
	1Hr	46Ah
Internal Resistance(Full charged)	6.3 mΩ (25°C)	
Capacity affected by temperature	40°C	109%
	25°C	100%
	0 °C	88%
	-15°C	76%
Self-Discharge (25 °C)	Capacity after 3 month storage	92%
Charging(25°C)	Cycle	14.10V, 12A or small
	Float	13.38V, 12A or small
Temperature compensation coefficient	-0.018V / °C	

Discharging Characteristics Curves (25 °C)



Charging Characteristics Curves(25 °C)



Constant current discharge (Ampere/cell @25 °C)

Final Voltage (V/cell)	Minute							Hour							
	5	10	15	20	30	40	50	1	2	3	4	5	6	8	10
1.85	144	120	105	93	74	58	50	42.3	26.5	19.9	15.9	13.6	11.8	9.4	7.9
1.80	160	132	113	99	78	61	52	44.6	27.3	20.3	16.2	13.8	11.9	9.4	8.0
1.75	176	142	120	105	80	63	54	46.4	27.8	20.6	16.3	13.9	12.0	9.5	8.1
1.70	190	150	126	110	82	65	55	47.5	28.1	20.7	16.5	14.0	12.1	9.6	8.2
1.65	201	160	134	116	84	67	56	47.9	28.3	20.9	16.6	14.1	12.1	9.6	8.2
1.60	212	165	139	120	85	67	56	48.6	28.5	21.0	16.6	14.1	12.2	9.7	8.2

Constant power discharge (Watt/cell @25 °C)

Final Voltage (V/cell)	Minute							Hour							
	5	10	15	20	30	40	50	1	2	3	4	5	6	8	10
1.85	280	225	188	172	132	109	94	86.4	51.4	40.6	32.6	27.4	23.3	18.6	16.1
1.80	344	271	215	179	139	115	99	90.4	52.1	41.0	33.3	27.6	23.7	18.8	16.2
1.75	384	288	230	185	145	120	104	92.0	52.9	41.5	33.7	27.8	24.2	19.0	16.3
1.70	413	308	240	191	152	125	107	92.8	54.4	42.0	34.2	28.1	24.6	19.3	16.4
1.65	440	315	246	196	157	126	110	95.2	55.1	42.4	34.7	28.4	25.2	19.4	16.5
1.60	464	324	252	202	170	129	112	97.6	55.9	42.8	35.2	28.6	25.8	19.6	16.6

This information is generally descriptive only and is not intended to make or imply any representation, guarantee or warranty with respect to any cells and batteries. Cell and battery designs/specifications are subject to modification without notice. Contact Coslight for the last information.